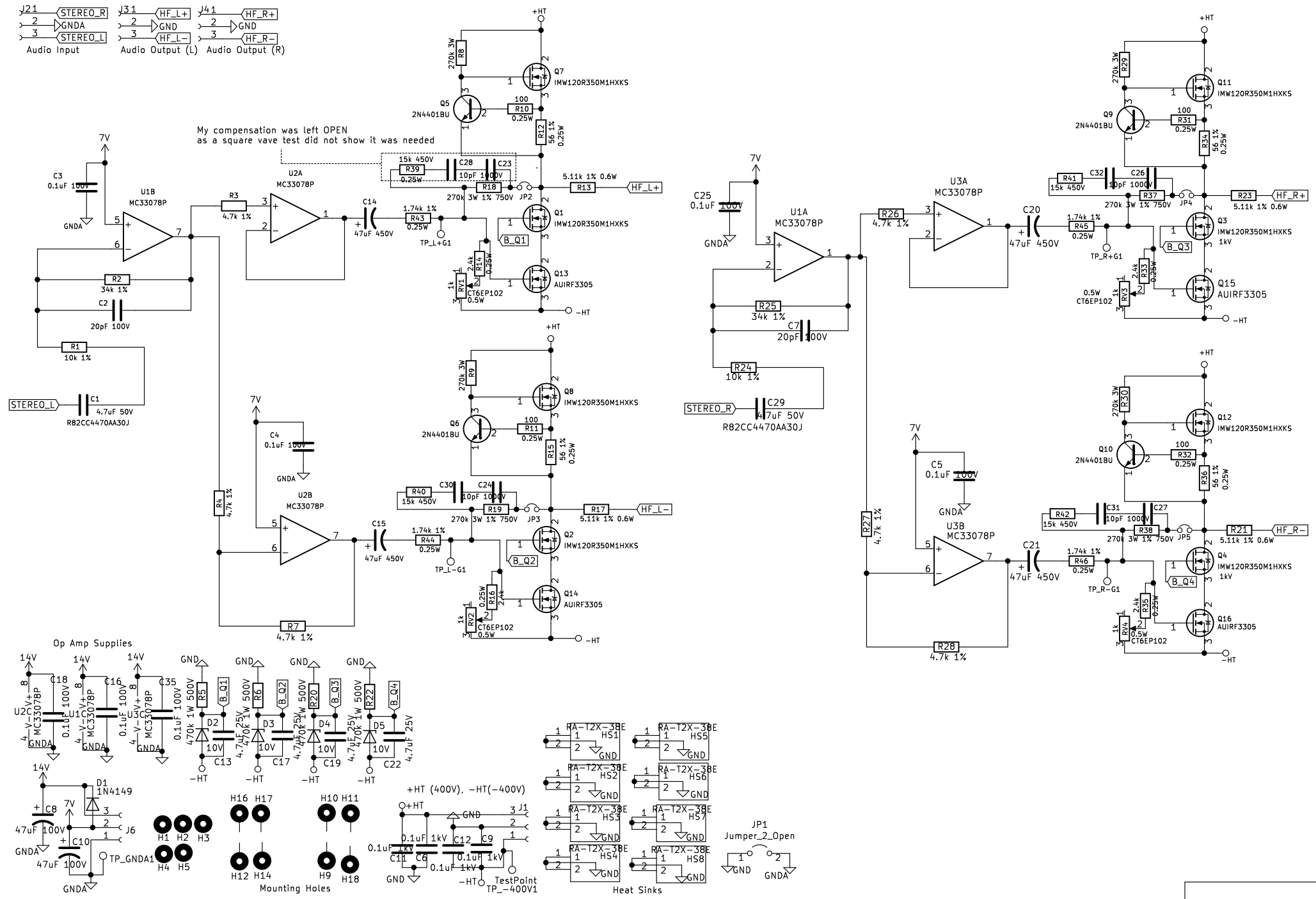


Disclaimer: This is an open source design and I take no responsibility for the content, accuracy, and implementation, conformity to any certification body or applicable laws of such material.

Use a 10k DUAL POT to GND for VOLUME control. Connect externally and center pins connect to L and R INPUT.



Nectar Agave Audio Amplifier Rev 1.0

Sheet: /  
File: Test\_Project\_1.sch

**Title: Nectar Agave Electrostatic Audio Amplifier Rev 1.0**

Size: USLedger Date: 03/06/2022 Rev: 2  
KiCad E.D.A. kicad (5.1.5)-2 Id: 1/1